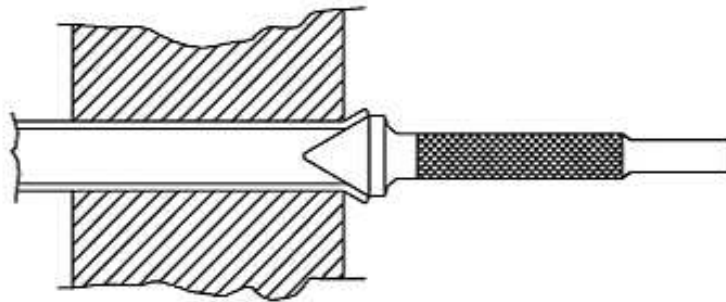


FLARING TOOL



Tube O.D.		Tube Thk. bwg.	Model No.
mm	inch		
12.70	1/2	16-22	FT-1
15.87	5/8	14-15	FT-2
		16-22	FT-3
19.05	3/4	14-15	FT-4
		16-22	FT-5
22.22	7/8	14-15	FT-6
		16-22	FT-7
25.40	1	12-15	FT-8
		16-22	FT-9
28.57	1.1/8	12-15	FT-10
		16-22	FT-11
31.75	1.1/4	8-14	FT-12
		15-22	FT-13
34.92	1.3/8	8-14	FT-14
		15-22	FT-15
38.10	1.1/2	8-14	FT-16
		15-22	FT-17

Note : Fitted with Type 1 round shank for use with standard pneumatic chipping hammer.
Other shanks on request.